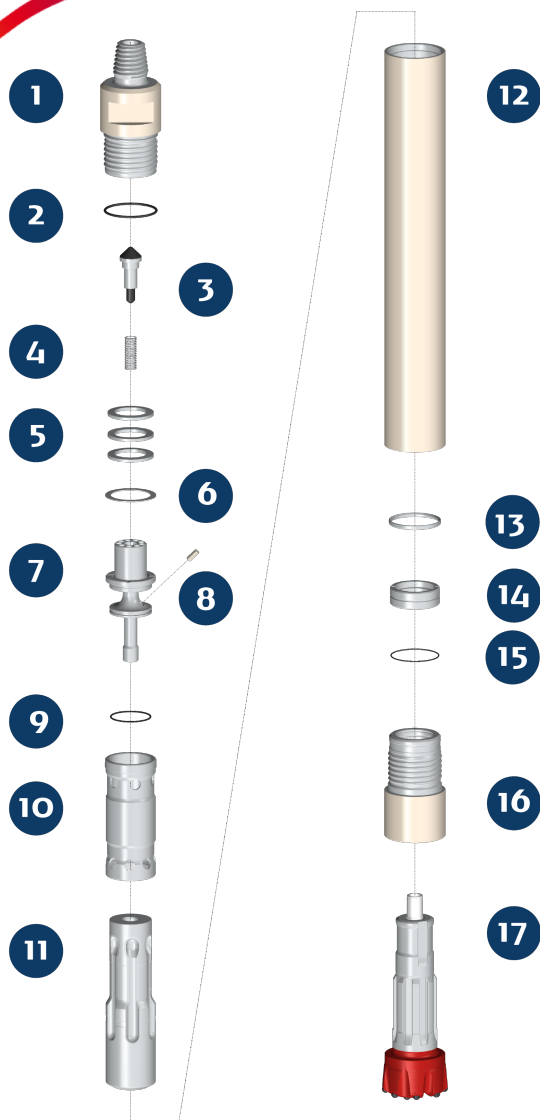


# PUMA M6.2 SD 6

HAMMER TYPE / S (Standard) CODE / 0006060-000017



## SPARE PARTS

ITEM / DESCRIPTION	kg	lb	CODE
1 Backhead 3 1/2" Reg M <sup>(1)</sup>	17.7	38.9	0106060-010008
2 O'ring 2-349	0	0	C180010-002349
3 Check Valve Dart	0.4	0.9	0101050-030000
4 Spring	0	0.1	0101060-040000
5 Compression Disk (Qty:3)	0.3	0.6	0106060-060003
6 Make up Ring Shim <sup>(2)</sup>	0	0.1	0101060-180000
7 Air Guide	4.3	9.5	0106060-080002
8 Choke <sup>(3)</sup>	0	0	0101050-070000
9 O'ring 2-238	0	0	C180010-002238
10 Cylinder	4.4	9.7	0106060-100003
11 Piston SD 6	22.7	50.1	0106060-120008
12 Wear Sleeve	32.4	71.4	0106060-110005
13 Flat Stop Ring	0.1	0.2	0101060-130001
14 Bit Retainer SD 6	1.2	2.6	0106060-150005
15 O'ring 2-156	0	0	C180010-002156
16 Chuck SD 6	10.9	24	0106060-170024
17 Bit SD 6	-	-	-

(1) Other thread types can be delivered at request  
 (2) Not installed in new hammers  
 (3) Different Choke sizes are available

## GENERAL DESCRIPTION

NET WEIGHT		OUTSIDE DIAMETER		HAMMER LENGTH		HAMMER LENGTH WITH BIT			
kg	lb	mm	in	mm	in	CLOSED BIT		EXTENDED BIT	
94	207	142	5.6	1168	46	mm	in	mm	in
						1275	50.2	1315	51.8

AIR CONSUMPTION												
PRESSURE	psig	150	200	250	300	350	barg	10.3	13.8	17.2	20.7	24.1
VOLUME	SCFM	378	529	680	831	982	m3/min	10.7	15	19.3	23.6	27.9

Check 04/2017